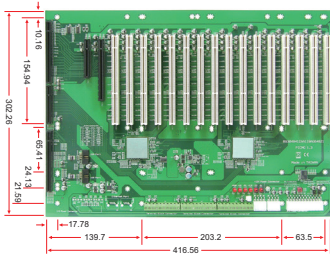


# PICMG 1.3 Backplane

## PICMG 1.3 BACKPLANE

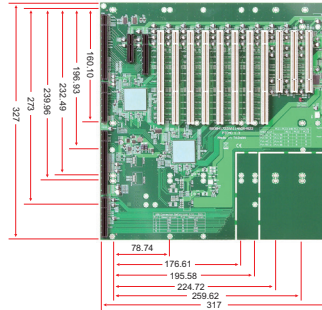
### Server Grade Backplane



#### PBPE-19AG64

19-slot [PCIe x16 (1, x8 signal), PCIe x8 (1, x4 signal), PCI-X (16)]

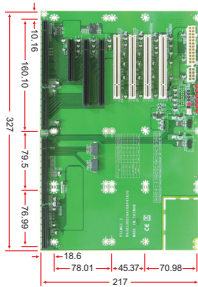
- Fit for 4U up chassis
- Four PCI-X buses support 16 PCI-X expansion slots



#### PBPE-14AD64

14-slot [PCIe x8 (1,x4 signal), PCIe x8 (1), PCI-X (8), PCI (3)]

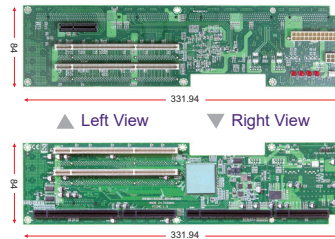
- Fit for 4U chassis
- Four PCI-X buses support eight PCI-X expansion slots



#### PBPE-08P41

8-slot [PCIe x8 (1, x4 signal), PCIe x16 (2, x8 signal), PCI (4)]

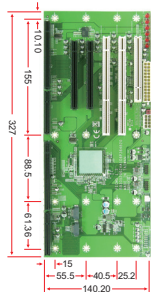
- Fit for Node chassis
- Four USB ports



#### PBPE-06V464

Vertical 6-slot [PCIe x4 (1), PCI-X (4)]

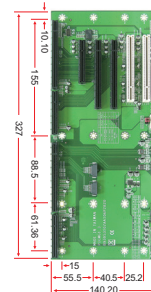
- Fit for 2U chassis
- Dual PCI-X buses support four PCI-X slots



#### PBPE-06A364

6-slot [PCIe x16 (2, x8 signal), PCI-X (2), PCI (1)]

- Fit for Node chassis
- Four USB ports
- Dual SATA ports
- Two PCI-X buses support two PCI-X expansion slot

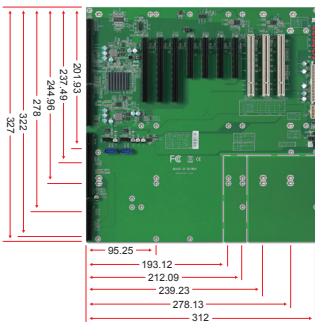


#### PBPE-06P2

6-slot [PCIe x8 (1, x4 signal), PCIe x16 (2, x8 signal), PCI (2)]

- Fit for Node chassis
- Four USB ports

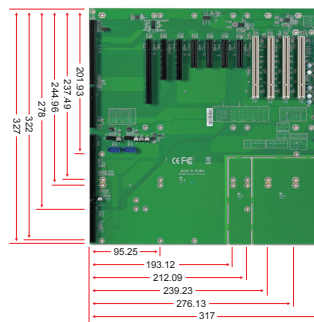
### Non-Server Grade Backplane



#### PBPE-11A3

11-Slot [PCIe x16(1), PCIe x16 (2, x8 signal), PCIe x8 (4, x1 signal), PCIe (3)]

- Fit for 4U Chassis
- Four USB ports
- Two SATA ports
- Support PCIe Gen3 with ROBO-8112/8113 series



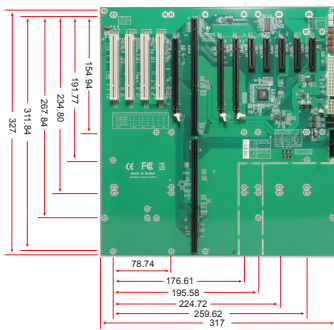
#### PBPE-12P4

12-Slot [PCIe x16 (1, x8 signal), PCIe x8 (2, x4 signal), PCIe x4 (4, x1 signal), PCI (4)]

- Fit for 4U Chassis
- Four USB ports
- Two SATA ports
- Support PCIe Gen3 with ROBO-8112/8113 series

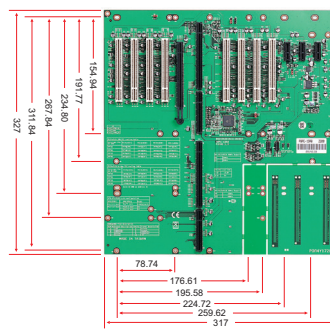


# PICMG 1.3 Backplane



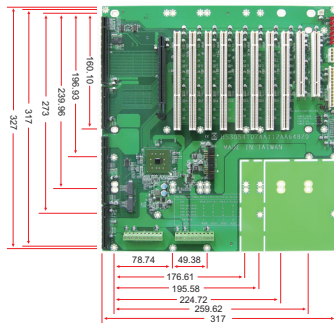
**PBPE-13A4**  
13-slot [PCIe x16(1), PCIe x16(2), x1 signal), PCIe x4(5, x1 signal), PCI(4)]

- Fit for 4U chassis
- Four USB 2.0 ports
- Dual SATA II ports



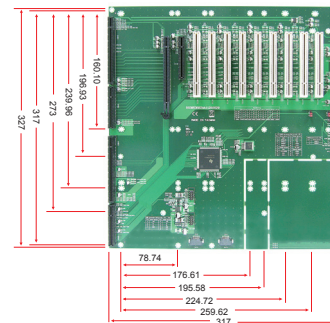
**PBPE-13A8**  
13-slot [PCIe x1 (3), PCIe x16 (1), PCI (8)]

- Fit for 4U chassis
- Four USB ports
- Dual SATA ports
- 24-pin ESP12V power connector



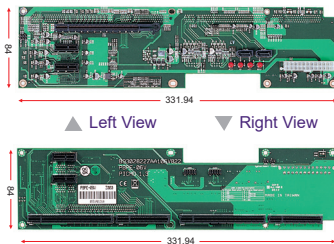
**PBPE-12AA64**  
12-slot [PCI-X (8), PCIe x16 (1), PCI (2)]

- Fit for 4U chassis
- Four USB ports
- Dual SATA ports
- Two PCI-X buses support eight PCI-X expansion slot



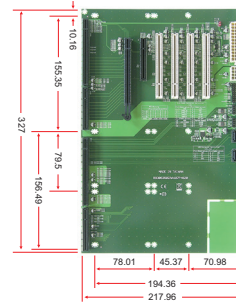
**PBPE-12A9**  
12-slot [PCIe x16 (1), PCIe x8 (1, x4 signal), PCI (9)]

- Fit for 4U chassis
- Four USB ports
- Dual SATA ports



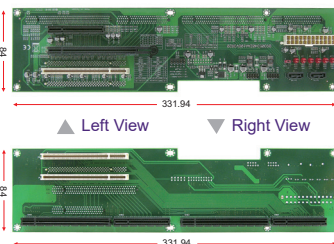
**PBPE-06V**  
Vertical 6-slot [PCIe x1 (4), PCIe x16 (1)]

- Fit for 2U chassis
- Four USB ports
- Dual SATA ports
- 24-pin ESP 12V power connector



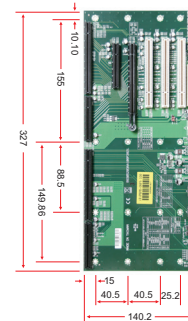
**PBPE-07P4**  
7-slot [PCIe x8 (1, x4 signal), PCIe x16 (1), PCI (4)]

- Fit for Node chassis
- Four USB ports
- Dual SATA ports



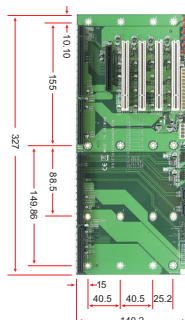
**PBPE-06V3**  
Vertical 6-slot [PCIe x8 (1, x4 signal), PCIe x16 (1), PCI (3)]

- Fit for 2U chassis
- Four USB ports
- Dual SATA ports



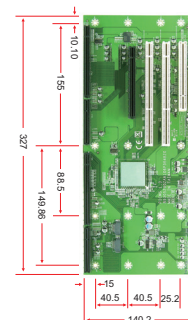
**PBPE-06P3**  
6-slot [PCIe x16 (1), PCIe x4 (1), PCI (3)]

- Fit for Node chassis
- Four USB ports
- Dual SATA ports



**PBPE-06P4**  
6-slot [PCIe x8 (1, x4 signal), PCI (4)]

- Fit for Node chassis
- Four USB ports
- Dual SATA ports



**PBPE-05A364**  
5-slot [PCIe x16 (1), PCI-X (2), PCI (1)]

- Fit for Node chassis
- Four USB ports
- Dual SATA ports
- Two PCI-X buses support two PCI-X expansion slot